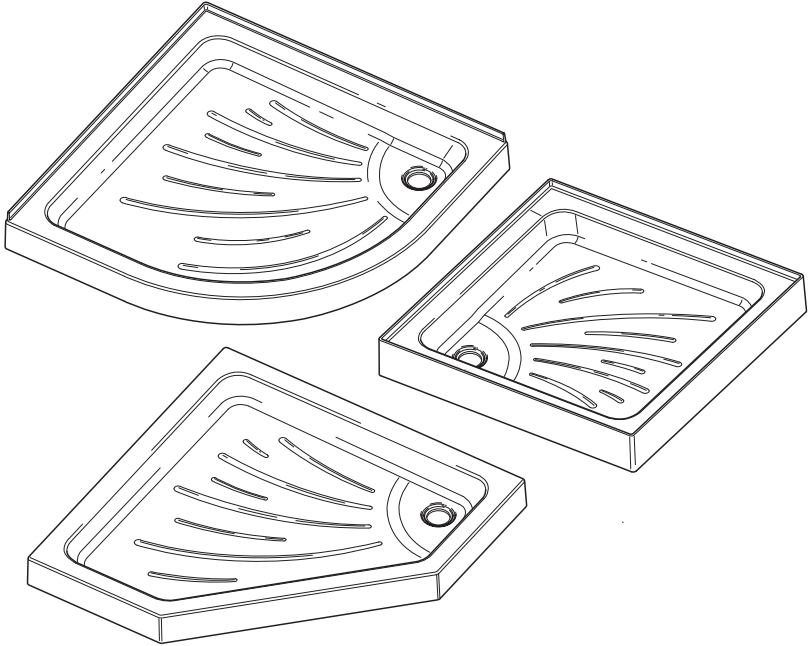


# ***mira***

*Flight*



**FLIGHT SHOWER TRAY**

**RISER AND NON-RISER**

**Installation & User Guide**

**These instructions are to be left with the user**

# CONTENTS

<b>Introduction .....</b>	<b>3</b>
Patents .....	3
<b>Important Safety Information .....</b>	<b>4</b>
<b>Pack Contents .....</b>	<b>5</b>
Square or Rectangular Shower Tray .....	5
Pentangle Shower Tray .....	6
Quadrant Shower Tray .....	7
<b>Dimensions .....</b>	<b>8</b>
Square or Rectangular Shower Tray .....	8
Pentangle Shower Tray .....	9
Quadrant Shower Tray .....	9
<b>Installation .....</b>	<b>10</b>
Non-Riser Installation .....	11
Riser Installation .....	13
Rebating the Shower Tray .....	14
<b>Basic Panel Installation .....</b>	<b>15</b>
Square/Rectangle .....	15
Pentangle .....	17
Quadrant .....	19
<b>Maintenance .....</b>	<b>21</b>
General .....	21
Cleaning .....	21
<b>Accessories .....</b>	<b>22</b>
<b>Spare Parts .....</b>	<b>23</b>
<b>Customer Service .....</b>	<b>Back Page</b>

# INTRODUCTION

Thank you for purchasing a quality product. To enjoy the full potential of your new shower tray, please take time to read this guide thoroughly, and keep it handy for future reference.

**Important!** The shower trays featured in this manual are available for use as riser and non-riser products. Carefully unpack and check the tray for colour, size, general acceptability and compatibility with the shower enclosure and other bathroom furniture. Check for transit damage and report any faults immediately to your supplier. **No claims for the above will be considered after installation.**

**Mira Flight Shower Trays** - are available in various shapes and sizes with or without upstands and are all supplied with an 85 mm top access waste and trap.

**Mira Flight Riser Conversion Kit** - comprises of adjustable legs, panels, panel securing clips, corners and optional end pieces. Riser Conversion Kits are available to purchase separately.

**Mira Flight Offset Leg Adaptor Fittings Kit** - for use with the Mira Flight Riser Conversion Kit, the Offset Leg Adaptor allows the installation of pipework behind the adjustable legs. Offset Leg Adaptor Fittings Kits are available to purchase separately (refer to section: '**Accessories**').

**Mira Flight Upstand Tiling Strip** - Upstand Tiling Strips are available to purchase separately (refer to section: '**Accessories**').

## Patents

Patent Applications	GB: 0526168 Euro: 1667562
---------------------	------------------------------

# IMPORTANT SAFETY INFORMATION

**Caution!** These products are precision-engineered and should give continued superior performance, provided:

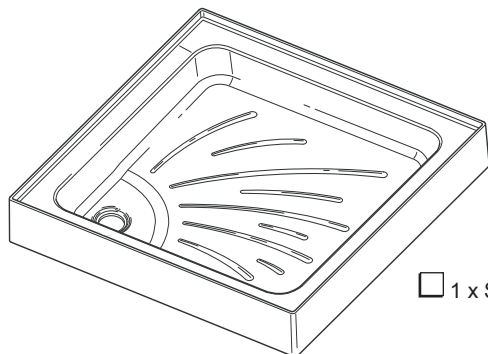
1. They are installed and maintained in accordance with the recommendations given in this manual.
2. Periodic attention is given, as necessary, to maintain the product in good functional order. Recommended guidelines are given in the **Maintenance** section.

**Warning!** The Mira Flight 760 and 800 variants weigh less than 25 kg and are a '**one-person-lift**'. All other Mira Flight tray variants weigh in excess of 25 kg and will require a '**two-person-lift**'.

# PACK CONTENTS

Tick the appropriate boxes to familiarise yourself with the part names and to confirm that the parts are included.



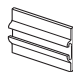
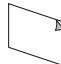



## Square or Rectangular Shower Tray



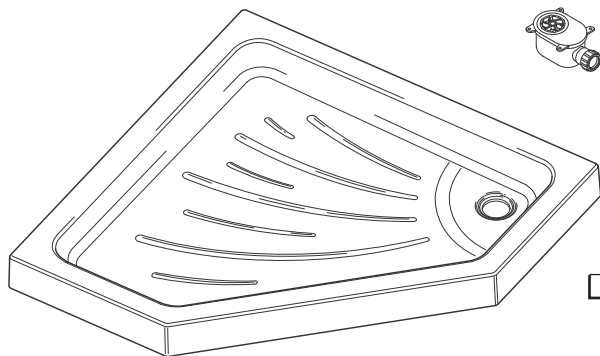
1 x 85 mm Waste

1 x Square or Rectangular Shower Tray

## Square/Rectangular Riser Conversion Kit (if purchased)

Description		Quantity Square or 900 x 760 rectangle	Quantity Rectangle all other rectangles	<input checked="" type="checkbox"/>
Adjustable Legs		4	6	
Clips		4	6	
Locators		4	6	
Sticky Pads		5	7	
90° Corner		1	1	
End Pieces		2	2	
Panels		2	2	



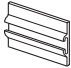
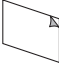



## Pentangle Shower Tray



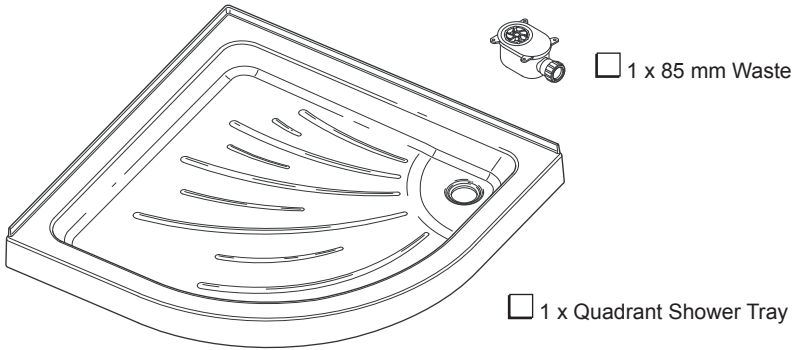
1 x 85 mm Waste

1 x Pentangle Shower Tray



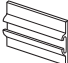
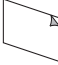



## Pentangle Riser Conversion Kit (if purchased)

Description	Quantity	<input checked="" type="checkbox"/>
Adjustable Legs 	5	
Clips 	5	
Locators 	5	
Sticky Pads 	6	
135° Corner 	2	
End Pieces 	2	
Panels 	3	

## Quadrant Shower Tray

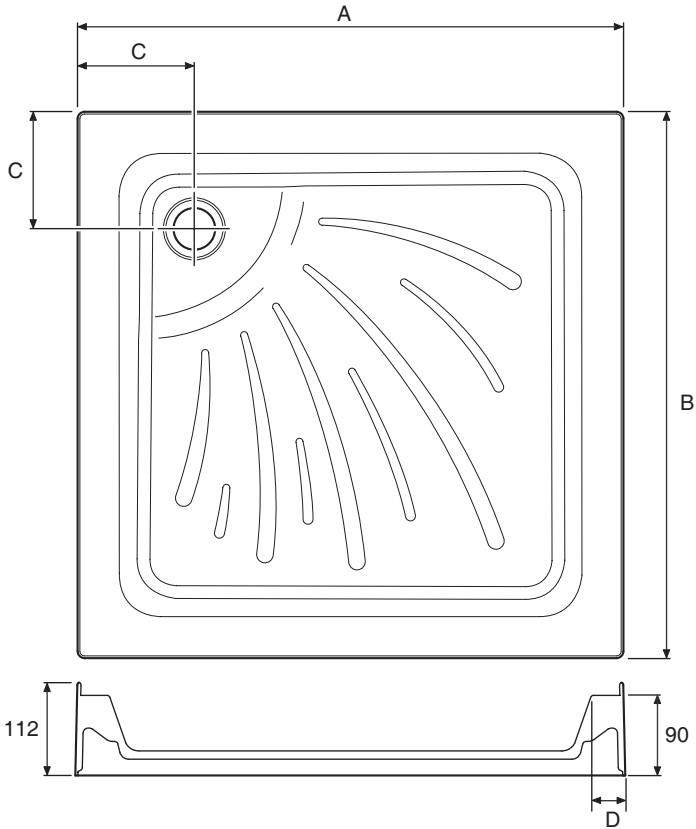


## Quadrant Riser Conversion Kit (if purchased)

Description	Quantity	<input checked="" type="checkbox"/>
Adjustable Legs 	4	
Clips 	4	
Locators 	4	
Sticky Pads 	5	
90° Corner 	1	Not Used
End Pieces 	2	Not Used
Panels 	1	

# DIMENSIONS

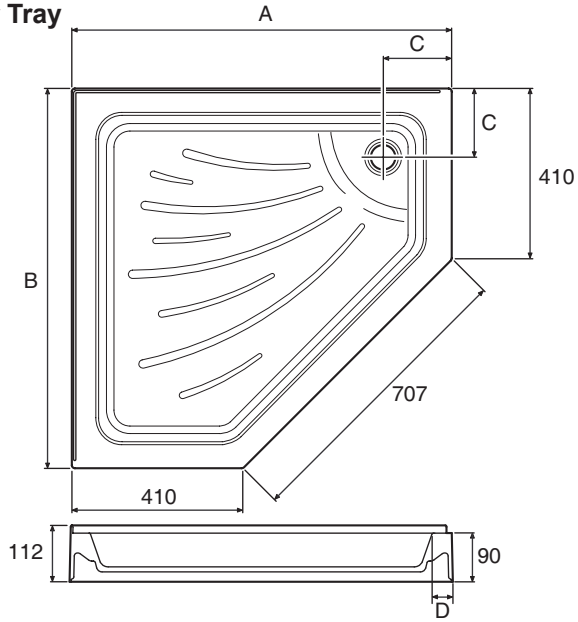
## Square or Rectangular Shower Tray



Flat Top				Legs	Upstand			
A	B	C	D		A	B	C	D
760	760	160	55	4	770	770	165	60
800	800	160	55	4	810	810	165	60
900	900	160	55	4	910	910	165	60
900	760	160	55	4	910	770	165	60
1000	760	160	55	6	1010	770	165	60
1000	800	160	55	6	1010	810	165	60
1200	760	160	55	6	1210	770	165	60
1200	800	160	55	6	1210	810	165	60
1200	900	160	55	6	1210	910	165	60

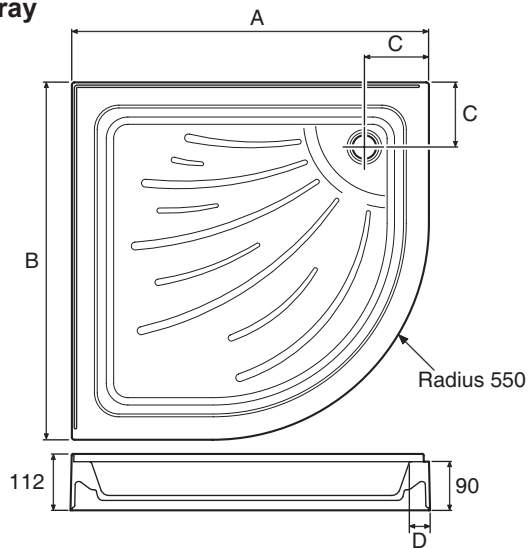
All Dimensions in mm

### Pentangle Shower Tray



Flat Top					Upstand			
A	B	C	D	Legs	A	B	C	D
900	900	160	55	5	910	910	165	60

### Quadrant Shower Tray



Flat Top					Upstand			
A	B	C	D	Legs	A	B	C	D
800	800	160	55	4	810	810	165	60
900	900	160	55	4	910	910	165	60

All Dimensions in mm

# INSTALLATION

Please read these instructions carefully before starting the installation procedure.

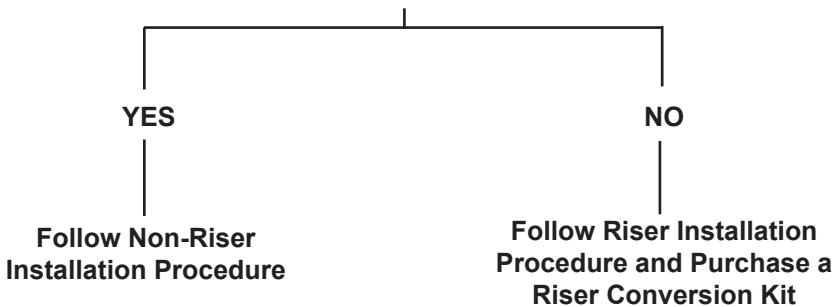
## Important Notes

1. It is recommended that the shower tray is installed before tiling. This will make sure that the tray is rebated into the plaster behind where the tile face will be, thus helping to achieve a watertight joint.
2. With a rebate or partial rebate the amount of adjustment on the enclosure could be affected. Therefore make sure that the enclosure to be fitted has sufficient adjustment to mate with the shower tray.
3. A waste with an 85 mm diameter flange must be used with these shower trays as supplied.

The first step of the installation is to decide whether you need a non-riser or riser installation for your tray. To find out answer these simple questions.

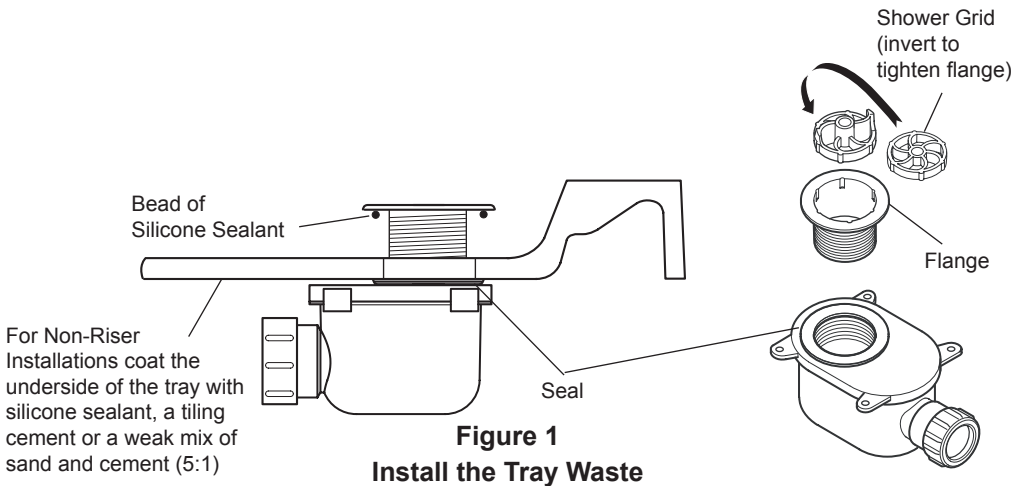
**1. If the floor is out of level by 1/4" (6 mm) or more across the tray length the installation of a riser tray is recommended**

**2. Can a hole be made to fit the waste into the floor/timber/between the joists**



## Non-Riser Installation

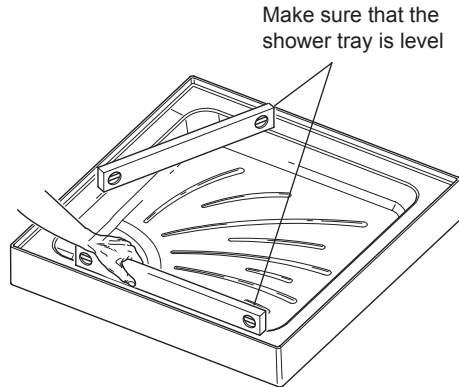
1. Carefully remove all of the blue protective film from the tray for inspection.  
**Caution!** Additional protective coverings such as a dust sheet should then be used to protect the tray from damage from falling objects.
2. Fit the 85 mm top access waste (supplied) to the tray before setting down being careful not to overtighten. Make sure that the seal is in place. Additional beads of silicone sealant must be used (refer to Figure 1).  
**Note!** To tighten, remove the Shower Grid from the Flange and turn it upside down. Locate it into the slots on the flange and tighten in a clockwise direction. Remove and refit the Shower Grid to it's original position.



3. Position the tray up to the walls and rebate into the plaster as required, refer to section: '**Installation, Rebating the Shower Tray**'. Remove the tray from its position.
4. Make sure that the floor is clean, dry, firm and level. Coat the ribbed underside of the tray with silicone sealant, a tiling cement or a weak mix of sand and cement (5:1). Then press down into place ensuring the tray is positioned into rebates.  
**Note!** Where the tray comes into contact with the wall or plaster board surface, apply a liberal amount of silicone sealant before installation. This will help secure the tray in position and reduce any rubbing of the surfaces.

5. Make sure that the tray is level.

**Note!** The bottom of the shower tray has a built in fall to allow for correct drainage. Therefore check the edges of the tray with a spirit level (refer to Figure 2).



**Figure 2**  
**Level the Shower Tray**

6. Connect the waste pipe.
7. Seal the joint between the shower tray and adjoining wall with silicone sealant to provide a secondary seal.
8. The area is now ready for tiling.
9. The 3 mm gap between the tiling and the shower tray **must** be filled with a bead of silicone sealant, refer to section: '**Installation, Rebating the Shower Tray**'.

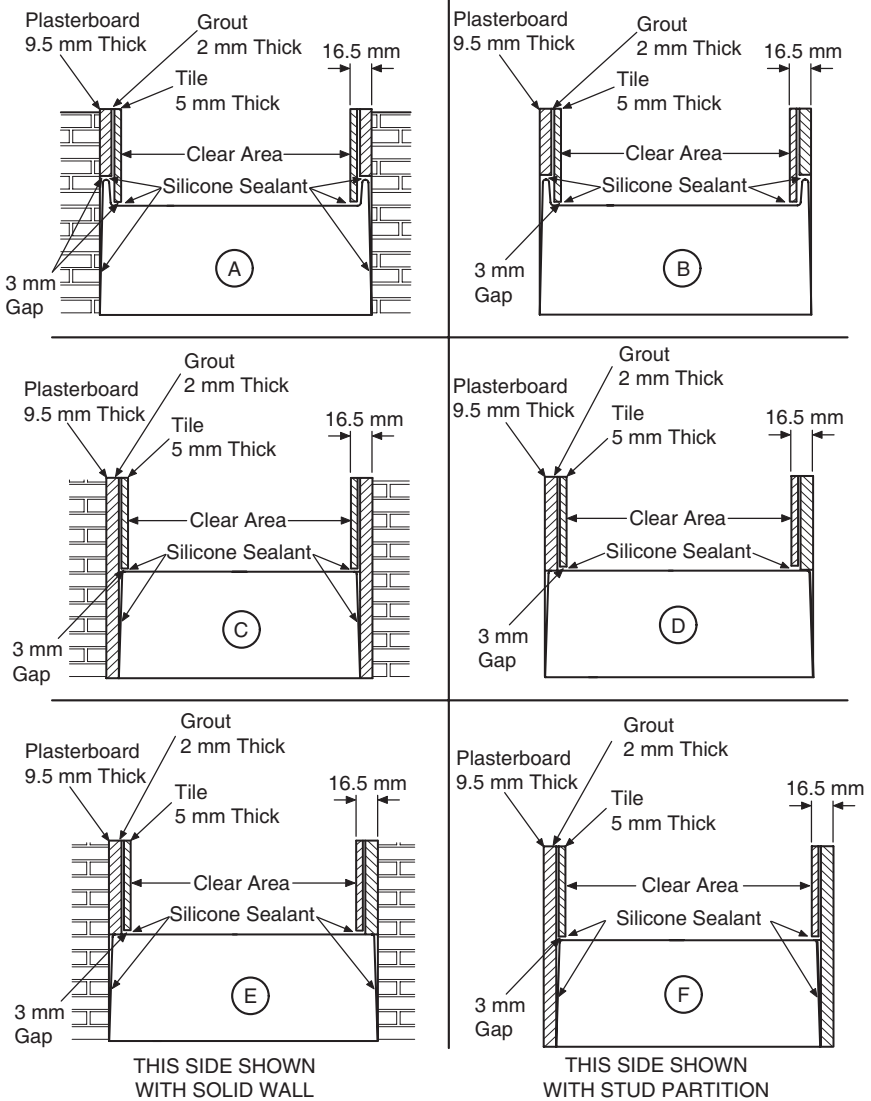
## Riser Installation

1. Carefully remove all of the blue protective film from the tray for inspection. Attention should then be paid to effectively cover the tray to protect from damage.
2. Spots on the adjustable leg mouldings are provided to help set equal heights. Set the adjustable legs to the third spot from the bottom, this will give the initial clearance for the waste supplied.  
**Note!** Do not adjust the legs above the fourth spot as this will be too high to accommodate the riser panel.
3. Fit the adjustable legs into the holes on the back of the tray.  
**Note!** A soft faced mallet can be used to aid installation.
4. Temporarily fit the waste outlet pipework and the trap to the tray. Adjust the height of the feet to give the required clearance.  
**Note!** The feet must be adjusted so that the shower tray does not rock.
5. Position the tray up to the walls and rebate the tray into the plaster (as required), refer to section: '**Installation, Rebating the Shower Tray**'.  
**Note!** Where the tray comes into contact with the wall or plaster board surface, apply a liberal amount of silicone sealant before installation. This will help secure the tray in position and reduce any rubbing of the surfaces.
6. Make sure that the tray is level.  
**Note!** The bottom of the shower tray has a built in fall to allow for correct drainage, therefore check the edges of the tray with a spirit level (refer to Figure 2). If necessary adjust the height of the feet so that the tray is level in all directions.
7. Once the tray is level - tighten the individual lock nuts on the leg sets and check the tray is firm and secure.
8. Tighten the waste being careful not to overtighten. Make sure that the seal is in place, additional beads of silicone sealant must be used (refer to Figure 1).
9. Connect the waste pipe.
10. Seal the joint between the shower tray and adjoining wall with silicone sealant to provide a secondary seal.
11. The area is now ready for tiling.
12. The 3 mm gap between the tiling and the shower tray **must** be filled with a bead of silicone sealant, refer to section: '**Installation, Rebating the Shower Tray**'.

## Rebating the Shower Tray

The figures below provide an indication of the type of typical recommended installation methods. It does not provide a fully detailed description for ALL installation methods / procedures.

To aid installation, optional accessories are available, refer to section 'Accessories'.



Note:- The amount of rebate affects the enclosure size.

**Figure 3**  
**Rebating the Shower Tray**

# BASIC PANEL INSTALLATION

## Square/Rectangle

1. Cut the panel to length.  
**Note!** When cutting to length, make sure that you take into account the amount of panel that goes into the corner connector and the end piece if required.  
**Note!** The end piece is designed to be used against a flat wall surface and cannot be cut. The panel, however, can be cut or shaped to suit the wall profile e.g. skirting board.
2. Remove the backing from one side of each of the pads and stick the pads to back of locators.
3. Slide the locators onto the clips (refer to Figure 4).

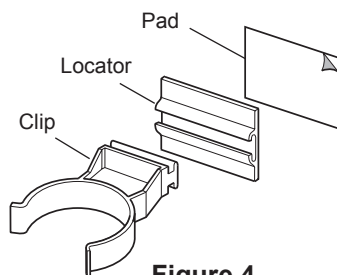


Figure 4

### Assemble the Panel Fixings

4. Slide the clips onto the legs until the bottom edge of the pad is 55 mm from the floor. Where two clips are fitted on one leg, one of the clips can be inverted to allow both pads to be located at the same height.  
**Note!** Make sure that they are parallel to the tray edge (refer to Figure 5).

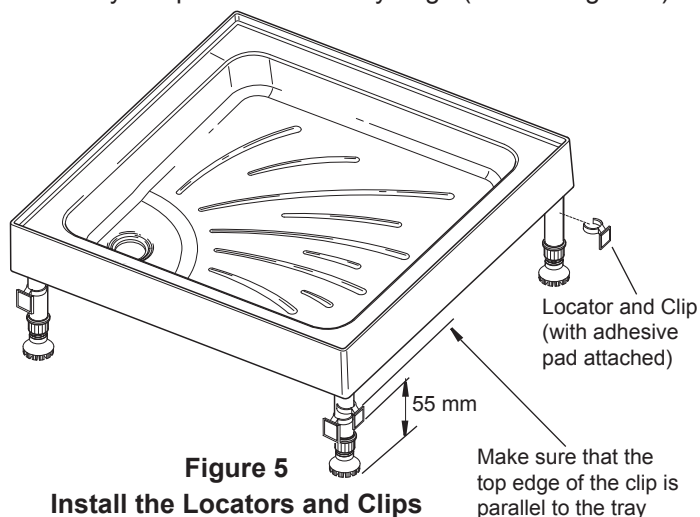
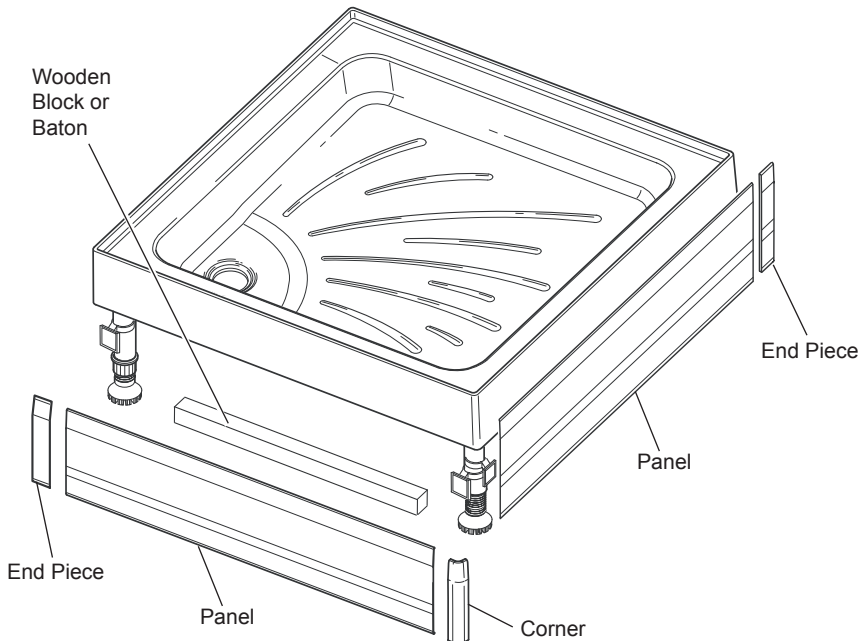


Figure 5

### Install the Locators and Clips

5. Offer up the panel to the tray with the horizontal grooves nearest the floor and make sure that the panel is the correct length.  
**Note!** If extra panel stability is required, secure wooden blocks or batons to the floor along the rear edge of the panel as shown.
6. Remove the backing paper from the sticky pads and remove the protective film from the panel.
7. If required, fit the end piece onto the panel.
8. Starting at the wall end. Offer the panel up to the locator and press firmly. Continue along the panel making sure that it sticks correctly (refer to Figure 6).
9. Fit the end piece and the corner to the other panel.
10. Fit the corner onto the fixed panel and continue along pressing firmly.
11. Seal the top edge of the panel to the tray wall using a line of silicone sealant.



**Figure 6**  
**Install the Panels**

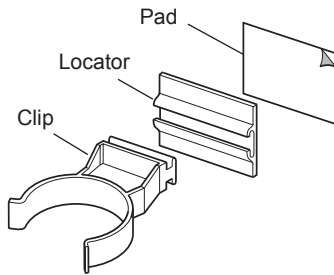
## Pentangle

1. Cut the panel to length.

**Note!** When cutting to length, make sure that you take into account the amount of panel that goes into the corner connector and the end piece if required.

**Note!** The end piece is designed to be used against a flat wall surface and cannot be cut. The panel, however, can be cut or shaped to suit the wall profile e.g. skirting board.

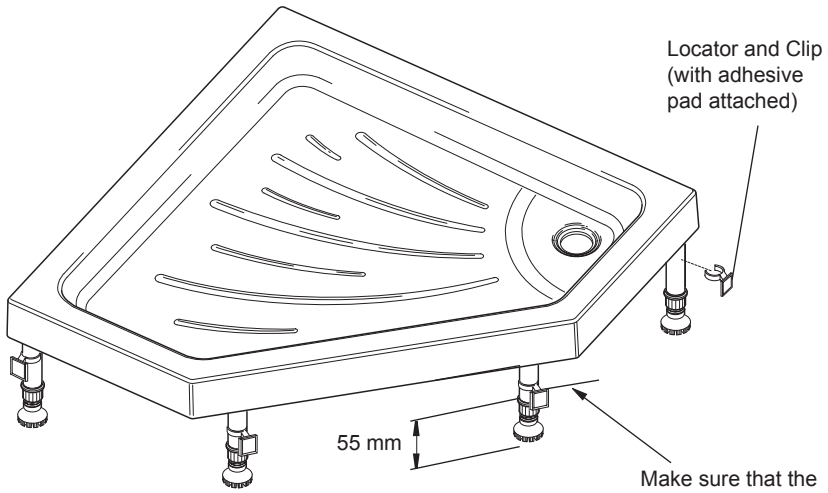
2. Remove the backing from one side of each of the pads and stick the pads to back of locators.
3. Slide the locators onto the clips (refer to Figure 7).



**Figure 7**  
**Assemble the Panel Fixings**

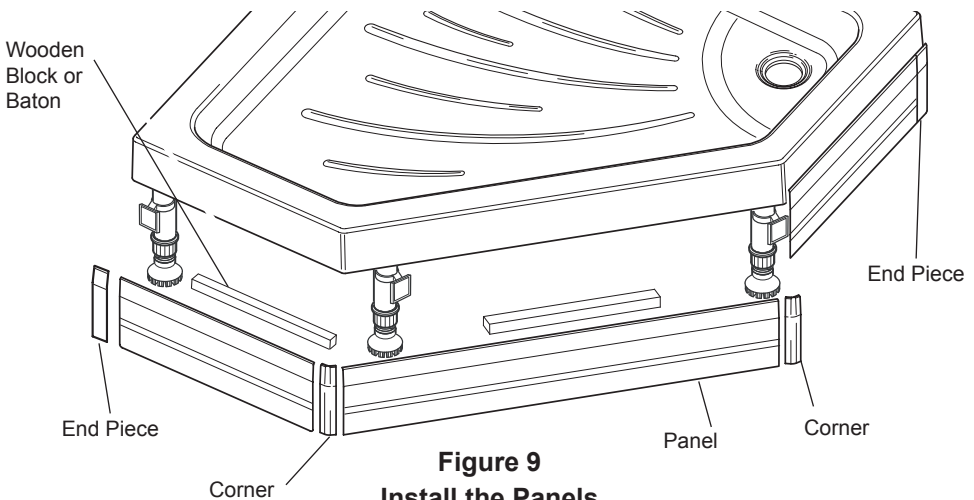
4. Slide the clips onto the legs until the bottom edge of the pad is 55 mm from the floor.

**Note!** Make sure that they are parallel to the tray edge (refer to Figure 8).



**Figure 8**  
**Install the Locators and Clips**

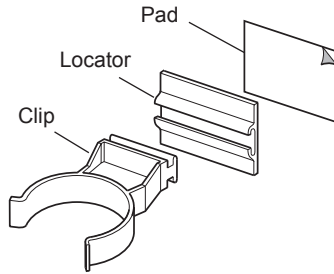
5. Offer up the panel to the tray with the horizontal grooves nearest the floor and make sure that the panel is the correct length.  
**Note!** If extra panel stability is required, secure wooden blocks or batons to the floor along the rear edge of the panel as shown.
6. Remove the backing paper from the sticky pads and remove the protective film from the panel.
7. If required, fit the end piece onto one of the smaller panels (410 mm).
8. Starting at the wall end. Offer the panel up to the locator and press firmly (refer to Figure 9).
9. Fit the corner onto one end of the larger panel (710 mm) so that it fits onto the fitted panel.
10. Locate onto the fitted panel (410 mm) and firmly press onto the pads.
11. If required, fit the end piece onto the other smaller panel (410 mm).
12. Fit the second corner onto one end of the panel (410 mm) so that it fits onto the fitted panel (710 mm).
13. Press the panel firmly onto the locators.
14. Seal the top edge of the panel to the tray wall using a line of silicone sealant.



**Figure 9**  
**Install the Panels**

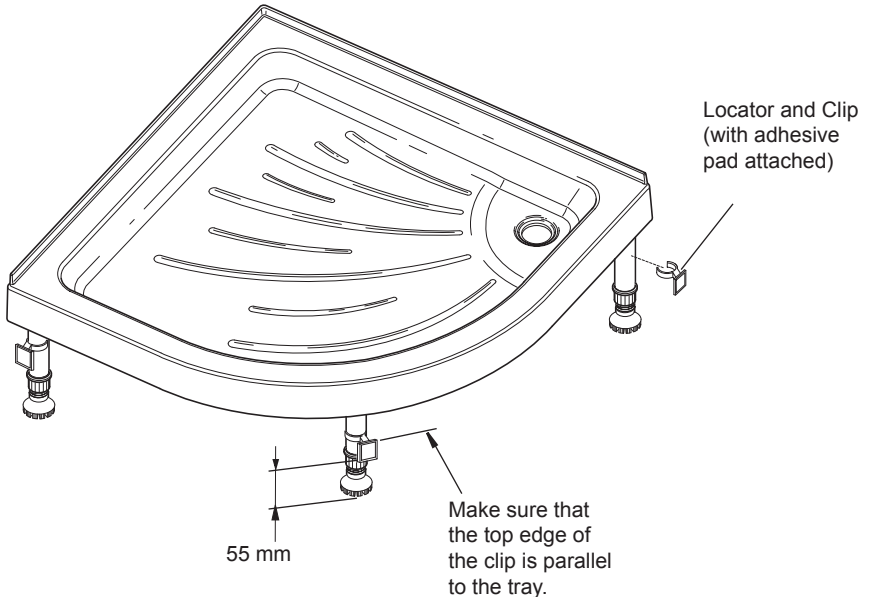
## Quadrant

1. Cut the panel to length.  
**Note!** Cut each end equally to maintain the correct fit of the curved panel.  
The panel can be cut or shaped to suit the wall profile e.g. skirting board.
2. Remove the backing from one side of each of the pads and stick the pads to back of locators.
3. Slide the locators onto the clips (refer to Figure 10).



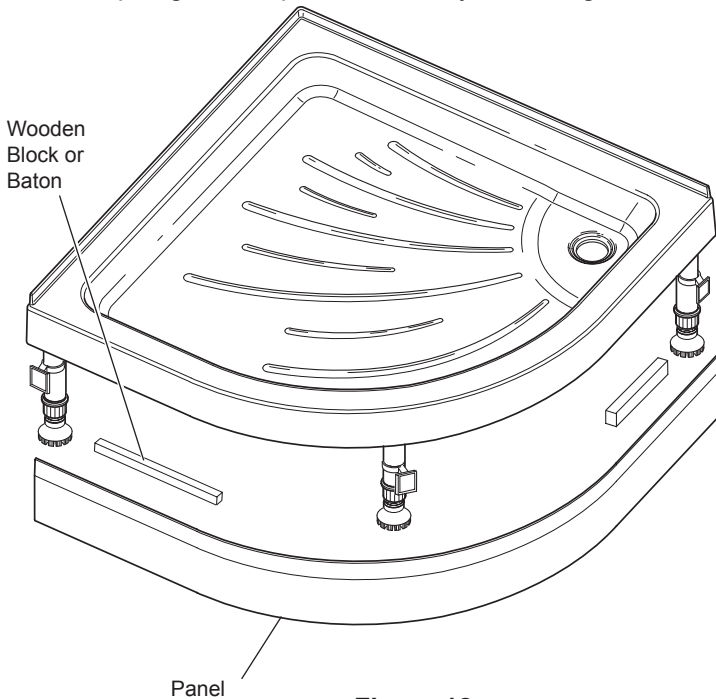
**Figure 10**  
**Assemble the Panel Fixings**

4. Slide the clips onto the legs until the bottom edge of the pad is 55 mm from the floor. Make sure that they are parallel to the floor (refer to Figure 11).



**Figure 11**  
**Install the Locators and Clips**

5. Offer up the panel to the tray and make sure that the panel is the correct length.  
**Note!** If extra panel stability is required, secure wooden blocks or batons to the floor along the rear edge of the panel as shown.
6. Remove the backing paper from the sticky pads and remove the protective film from the panel.
7. Put the panel in position and press firmly. Continue along the panel making sure that it sticks correctly (refer to Figure 12).
8. Seal the top edge of the panel to the tray wall using a line of silicone sealant.



**Figure 12**  
**Install the Panels**

# MAINTENANCE

## General

Providing the shower tray has been correctly installed in accordance with the instructions contained in this guide, difficulties should not arise. If any maintenance is required then it must be carried out by a competent tradesperson for whom the maintenance instructions are provided.

## Cleaning

It is advised that the shower tray is cleaned immediately after use, to remove any insoluble products. Hot soapy water should be used and then the tray should be wiped. Cleaners of gritty or abrasive nature should **never** be used.

The acrylic ABS surface of this shower tray has good resistance properties to acids but should not come into contact with alkalis or organic solvents, such as caustic soda, dry cleaning agents and paint strippers.

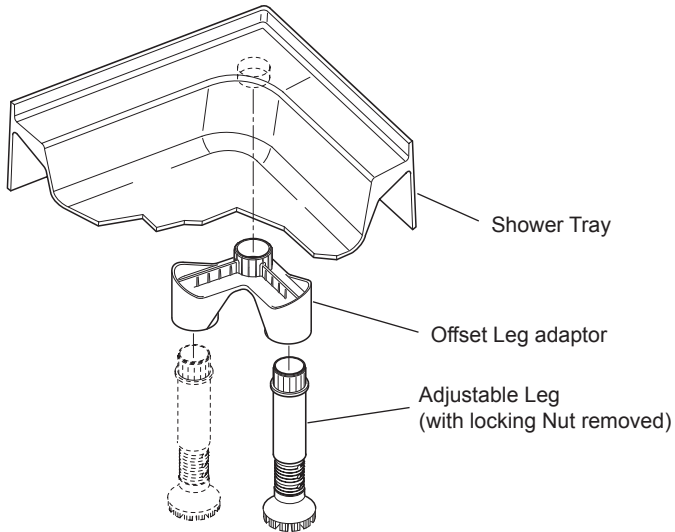
# ACCESSORIES

Offset Leg Adaptor Fittings Kit (2 off) 'Patent Pending'

**1570.557 WH** (white)

The Offset Leg Adaptor allows the Adjustable Legs to be installed offset to the tray, thus allowing installation of pipework behind the Adjustable Legs (refer to illustration).

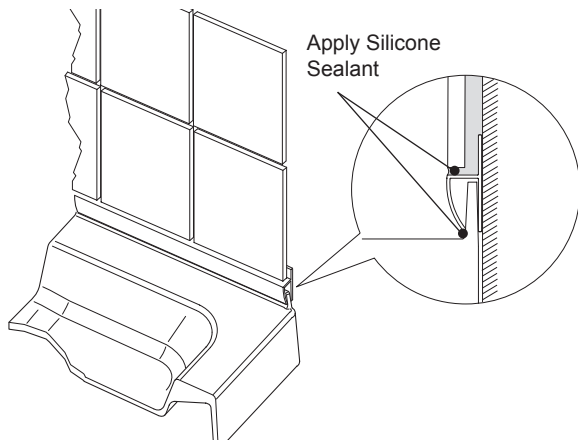
**Important!** Unscrew and remove the Locking Nut when using the Offset Leg Adaptor.



Upstand Tiling Strip (3 off, 1250 mm long)

**1570.558 WH** (white)

Eliminates the need to rebate the shower tray into solid or stud walls.



# SPARE PARTS

**1570.002 WH** (white)  
**1570.002 SC** (soft cream)  
**1570.002 PG** (pergamon)

Connector (90 Degrees)



**1570.003 WH** (white)  
**1570.003 SC** (soft cream)  
**1570.003 PG** (pergamon)

Connector (135 Degrees)



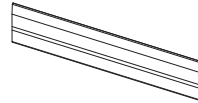
**1570.004 WH** (white)  
**1570.004 SC** (soft cream)  
**1570.004 PG** (pergamon)

Quadrant Panel



**1570.005 WH** (white)  
**1570.005 SC** (soft cream)  
**1570.005 PG** (pergamon)

1200 mm Panel



**1570.589 WH** (white)  
**1570.589 SC** (soft cream)  
**1570.589 PG** (pergamon)

End Piece



(for use with Square, Rectangle and Pentangle Trays)

**1570.280** Mira Flight Riser Fittings Pack

Comprising of:

1 Leg



1 Clip



1 Locator



2 Sticky Pads



**1570.296** 6 Leg Pack



# CUSTOMER SERVICE

## Guarantee of Quality

Mira Showers guarantee your product against any defect in materials or workmanship for the period shown in the Guarantee Registration Document included with your Shower Tray.

Alternatively, to confirm the applicable guarantee period please contact Customer Services.

To validate the guarantee, please return your completed registration card.

Within the guarantee period we will resolve defects, free of charge, by repairing or replacing parts or modules as we may choose.

To be free of charge, service work must only be undertaken by Mira Showers or our approved agents in Northern Ireland and Republic of Ireland.

Service under this guarantee does not affect the expiry date. The guarantee on any exchanged parts or product ends when the normal product guarantee period expires.

Not covered by this guarantee:

Damage or defects arising from incorrect installation, improper use or lack of maintenance, including build-up of limescale.

Damage or defects if the product is taken apart, repaired or modified by any person not authorised by Mira Showers or our approved agents.

This guarantee is in addition to your statutory and other legal rights.

## Before using your Shower Tray

Please take the time to read and understand the operating and safety instructions detailed in this manual.

## What to do if something goes wrong

If when you first use your shower tray it doesn't function correctly, first contact your installer to check that installation and commissioning are satisfactory and in accordance with the instructions in this manual. We are on-hand to offer you or your installer any advice you may need.

Should this not resolve the difficulty, simply contact our Customer Services who will give every assistance, and if necessary arrange for our service engineer to visit.

If later the performance of your shower tray declines, consult this manual to see whether simple home maintenance is required. Please call our Customer Services to talk the difficulty through, request service under guarantee if applicable, or take advantage of our comprehensive After-Sales service.

As part of our quality and training programme calls may be recorded or monitored.

Our Customer Services Team is comprehensively trained to provide every assistance you may need: help and advice, spare parts or a service visit.

## Spare Parts

We maintain an extensive stock of spares, and aim to have functional parts available for ten years from the date of final manufacture of the product.

Spares can be purchased from approved stockists or merchants (locations on request) or direct from Customer Services.

Spares direct will normally be despatched within two working days. Payment can be made by Visa or MasterCard at the time of ordering. Should payment by cheque be preferred a pro-forma invoice will be sent.

## Service

Our Service Force is available to provide a quality service at a reasonable cost. You will have the assurance of a Mira trained engineer/agent, genuine Mira spares, and a 12 month guarantee on the repair.

Payment should be made directly to the Service Engineer/Agent, using Visa, MasterCard or a cheque supported by a banker's card.

## To Contact us

England, Scotland & Wales

### Mira Showers Customer Services

Telephone: 0870 241 0888 - Mon to Fri 8:00 am - 5:30 pm  
Sat 8:30 am - 3:30 pm

E-mail: [technical@mirashowers.com](mailto:technical@mirashowers.com)

Fax: 01242 282595

By Post: Cromwell Road, Cheltenham  
Gloucestershire, GL52 5EP

Northern Ireland

### Wm H Leech & Son Ltd

Telephone: 028 9044 9257 - Mon to Fri 9:00 am - 5:00 pm

E-mail: [leech@dnet.co.uk](mailto:leech@dnet.co.uk)

Fax: 028 9044 9234

Post: Maryland Industrial Estate  
Ballygowan Road, Moneyreagh  
Co Down, BT23 6BL

Republic of Ireland

### Modern Plant Ltd (Dublin)

Telephone: 01 459 1344 - Mon to Fri 9:00 am - 5:00 pm

E-mail: [sales@modernplant.ie](mailto:sales@modernplant.ie)

Fax: Dublin 01 459 2329

Post: Otter House, Naas Road  
Clondalkin, Dublin 22

### Modern Plant Ltd (Cork)

Telephone: 021 496 8755 - Mon to Fri 9:00 am - 5:00 pm

E-mail: [cork@modernplant.ie](mailto:cork@modernplant.ie)

Fax: 021 496 8607

Post: Tramore Road, Cork

**Mira Showers**  
Kohler Mira Ltd  
Cromwell Road,  
Cheltenham GL52 5EP.

Mira is a registered trade mark of  
Kohler Mira Limited.  
The company reserves the right to alter  
product specifications without notice.  
[www.mirashowers.com](http://www.mirashowers.com)



**mira**  
*Flight*