

Mira HeatCapture™

Vertical Waste Water Heat Recovery System



Sustainably increasing the efficiency of energy usage in new homes

Product Information

Description	Product No.
Mira HeatCapture™ VWWHRS	1.1976.001
Mira HeatCapture™ - Installation Pack	1.1976.002
Pre-Heat Warning Tape - available at point of purchase or Mira Customer Services	1.1976.021

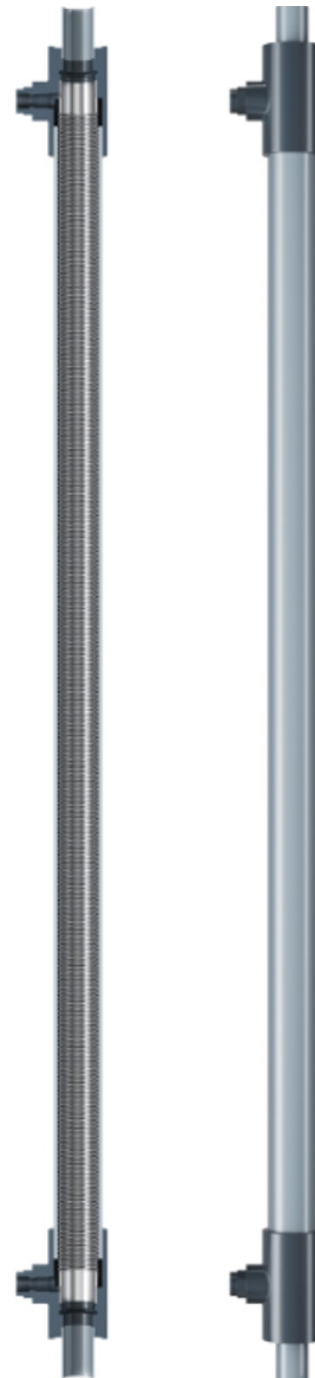
Performance

Efficiency	System A
5.8 Litres/minute	64%
9.2 Litres/minute	59%
12.5 Litres/minute	58%

Shower Flow Rate @ 40°C (Litres/minute)

Operating Parameters

Flow Rate
Shower flow rate range : 5-15 Litres/minute
Temperature Range
Inlet water temperature range : 5-25 °C
Maximum waste water working temperature : 60 °C
Pressure Range
Minimum mains water inlet pressure : 1 bar
Maximum maintained inlet pressure : 5 bar
Maximum static inlet pressure: 10 bar
Connections
Mains water connection : 1/2" Female
Waste water connection : 40 – 43 mm
Mounting bracket and fixings : 2 off
Full bore isolation valve: 2 off (required but not supplied)
Type EA check valve (required but not supplied)



To download other resources, and for more information and advice on our products just visit:
www.mirashowers.co.uk

Product Specification

Materials

Stainless steel (316L) heat exchanger

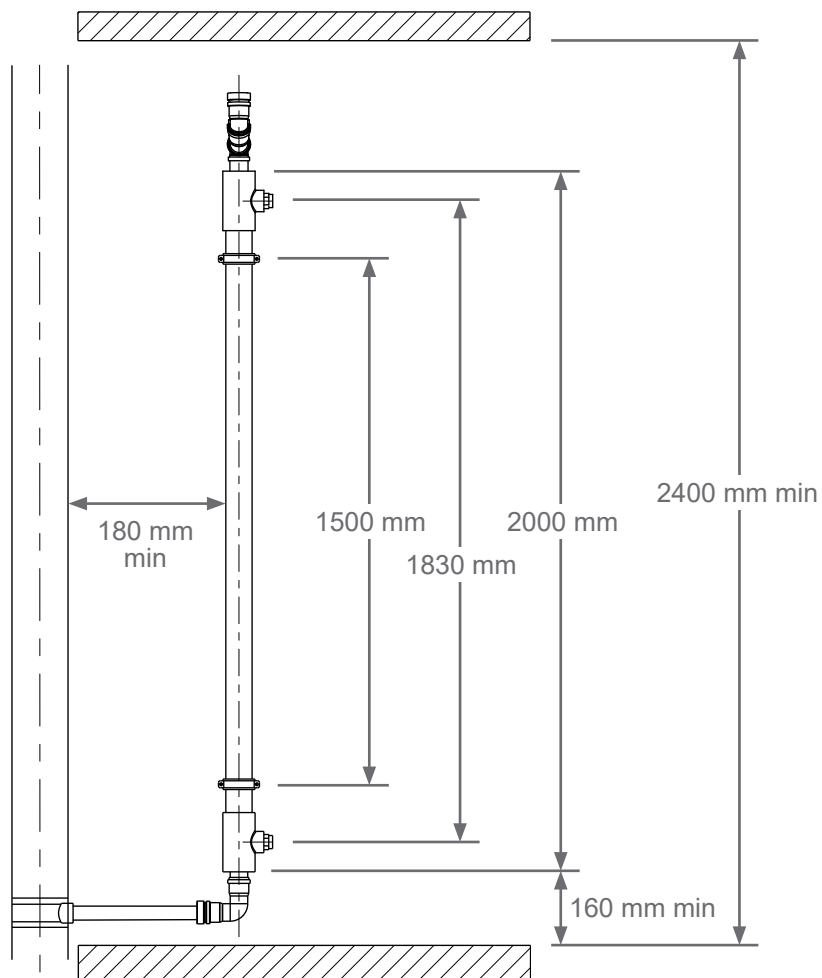
PVC pipe and waste fittings

Brass mains water fittings

Approvals



Dimensions



To download other resources, and for more information and advice on our products just visit:
www.mirashowers.co.uk

